



Getinge Lancer Ultima labware washing systems

Undercounter series

This document is intended to provide information to a North American audience.

GETINGE 



High performance

– compact footprint

Getinge Lancer Ultima series washers offer the best labware cleaning solutions in the industry. From quality control to general laboratory research, Getinge Lancer Ultima series washers deliver high performance in a compact footprint.

High density loading demands fewer cycles. Efficient use of water, detergents and rinsing agents minimizes the environmental impact. Energy saving construction lowers total cost of ownership.

The exclusive Prolux programmable microprocessor controller commands a full range of prewash, wash, rinse and drying functions through simple touchscreen menus on all Ultima series washers. The convenience of five preset programs for light to heavy loads simplifies operation, while more complex programs can be customized whenever needed to meet specific applications.



Getinge Lancer Ultima model 810 LX undercounter labware washer, shown with accessory loading racks, sold separately.



Quiet operation
Noise reduction design minimizes sound for quiet operation.



Cool surface
High-performance insulation contains heat and limits energy consumption.



Prolux programmable microprocessor controller with intuitive touchscreen graphic user interface, alarm and monitoring, data capture and communications document cycle performance.

Stainless steel top and bottom spray arms and two levels of injection washing ensure thorough spray coverage.

High efficiency powerful fluid circulation with direct fluid path and rear manifold connections deliver optimal pressure and flow rates.

Chamber walls made in durable AISI 316L stainless steel material.

The high performance, high temperature cleaning process is managed with preset or user defined programmable cycles.

Injector jet performance provides inside out wash and rinse functions.

Two integrated automatic chemical dosing pumps are standard on all models.



View-In-Process Window

An optional View-In-Process (VIP) window includes an interior LED light for visual verification of the interior load during the cycle.

Getinge Lancer Ultima model 815 LX undercounter labware washer, shown with accessory loading rack, sold separately.

Less noise, less surface heat and less space required

Getinge Lancer Ultima series washers offer an ideal combination of precision engineering, efficient loading design and comprehensive controls required to process and document labware washing cycles. Getinge Lancer Ultima series models are ideal for installation under

casework or freestanding placement. The compact footprint minimizes floor space and maximizes valuable research space.



810 LX features

815 LX features

5 preset cycles

5 preset cycles

Programmable cycles

Programmable cycles

No drying

Standard: Hot forced-air introduced into the chamber
Optional: HEPA filtered hot air through chamber and injectors

Additive level sensors

Additive level sensors

Models shown with optional View-In-Process (VIP) window.

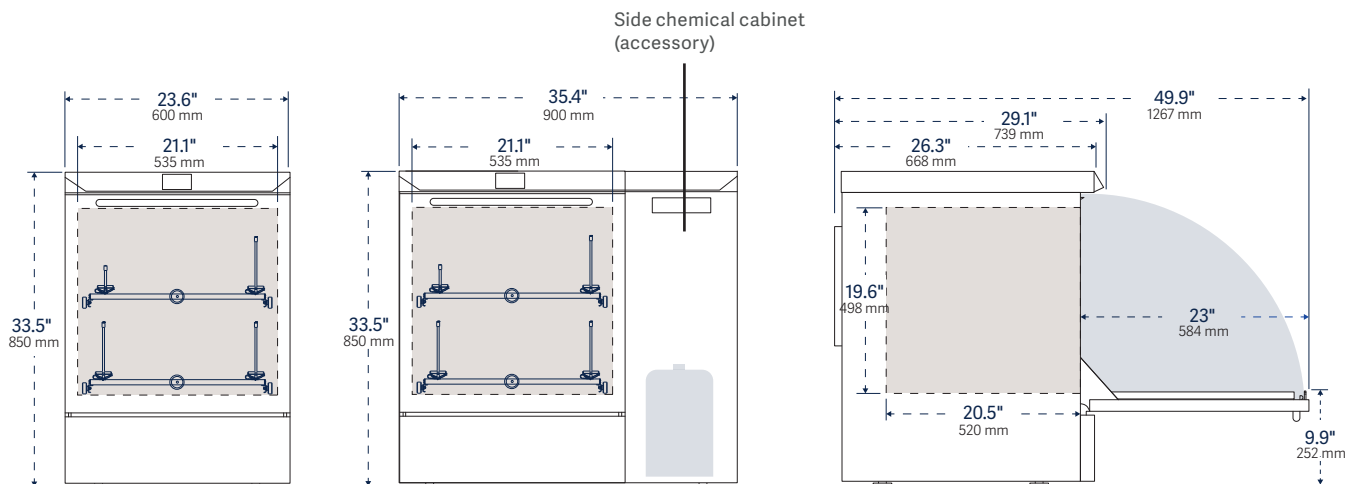
Three options, compact footprint

810 LX / 815 LX

810 LX / 815 LX

Ultima 810/815 LX with additional side chemical cabinet is sold as an accessory.

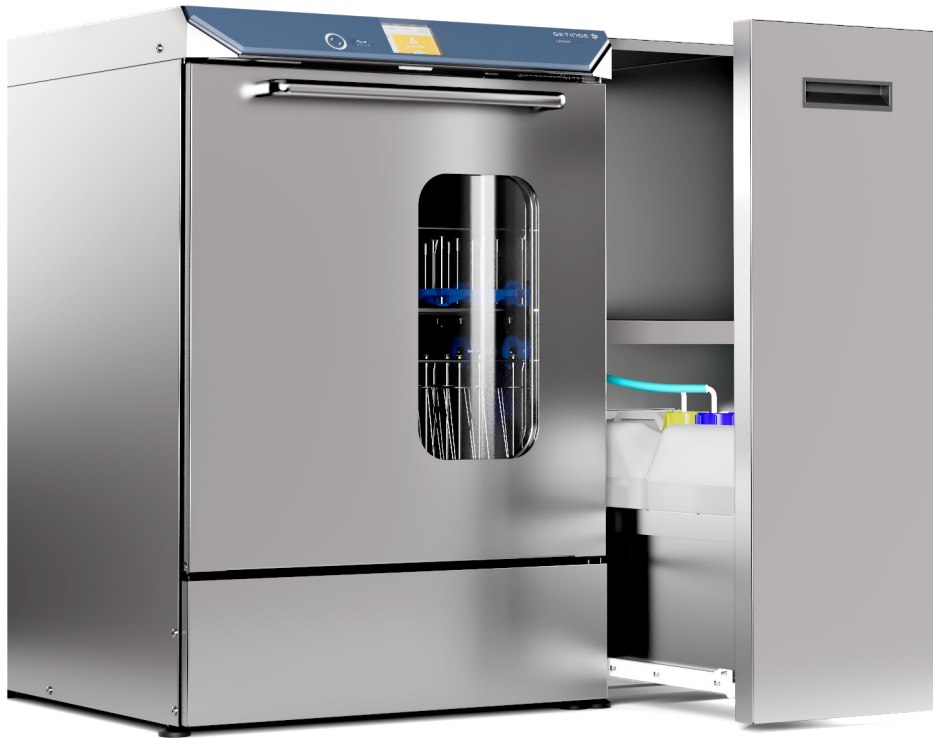
Drawings display top, front and side of unit, with door swing allowance.



Model	Interior dimensions W x H x D	Exterior dimensions W x H x D	Water per fill* L (gal)	Programs	
				presets	custom
810 LX	21.1" x 19.6" x 2.5" 535 x 498 x 520 mm	23.6" x 33.5" x 29.1" 600 x 850 x 739 mm	12 (3.1)	5	35
810 LX with side chemical cabinet (SCC)		35.4" x 33.5" x 29.1" 900 x 850 x 739 mm			
815 LX	21.1" x 19.6" x 20.5" 535 x 498 x 520 mm	23.6" x 33.5" x 29.1" 600 x 850 x 739 mm	12 (3.1)	5	35
815 LX with side chemical cabinet (SCC)		35.4" x 33.5" x 29.1" 900 x 850 x 739 mm			

* Total water consumption per fill based on reservoir sump and all fluid path fill volumes, care should be taken when evaluating comparative water consumption claims.

Site preparation	810 LX / 815 LX
Water supply (hot, cold and DI)	G 3/4" hose thread connection, recommended min. flow 20 L/min (5.25 gpm); lower flow rates may extend cycle times; 200 to 600 kPa (29-87 psi) water pressure
Drain requirement, vertical standpipe	1 1/2" (40 mm) diameter, 20" to 27" (500 to 700 mm) above floor



Model	Wash Temp. max. °F (°C)	Cycle function			Chemical dosing		Net weight Empty lb (kg)
		Rinse purified water	Rinse acid	Drying	Automatic pumps	Level sensors	
810 LX	203°F (95°C)	■	■	–	■	–	187 (85)
810 LX with side chemical cabinet (SCC)							254 (115)
815 LX	203°F (95°C)	■	■	Standard: Forced-air chamber Option: Forced-air chamber and injectors	■		187 (85)
815 LX with side chemical cabinet (SCC)							254 (115)

■ / □ Standard / optional features

Certifications

2006/42/EC

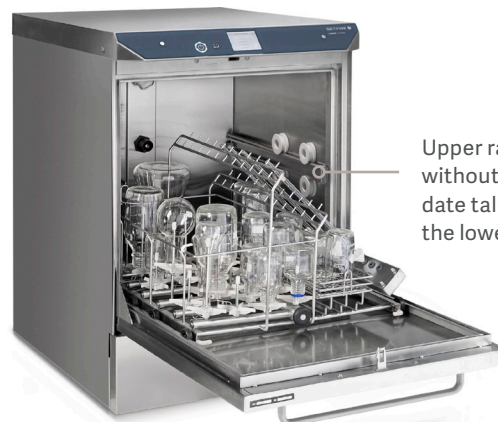
World class engineering

– robust construction
for safety and efficiency

Ergonomic loading configurations

- Telescoping load-bearing rails permit extension of racks for easy loading. All racks are interchangeable between top and bottom wash levels, and among Getinge Lancer Ultima series freestanding models 910 LX and 1300 LX. This minimizes the need for additional accessories.
- The fold-down door creates a platform for proper rack positioning and more comfortable loading and unloading.

Cleaning performance and safety

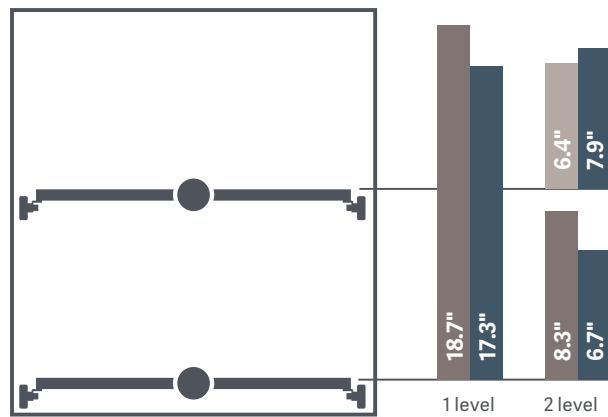


Upper rack removes easily without tools to accommodate tall labware loaded into the lower level.

Operating systems are designed for performance, efficiency and high throughput.

- An automatic door lock prevents door opening during active cycles; protects the user from heat and chemical exposure.
- Top and bottom stainless steel spray arms are pressurized to provide exterior coverage to the labware.
- Injector rack manifold connections are located at the rear for proper alignment and the most efficient pressure and flow.
- Washing temperature can be set to a maximum of 203°F (95°C) if required for more difficult soils 185°F (85°C) for 120 V unit.
- Automatic Peristaltic pumps are self-contained for accurate and repeatable dosing of detergents or acids required by each cycle.
- Multiple DI rinses can be programmed to eliminate interior and exterior spotting.

Wash load configurations



- PST Basic basket
- PSBT Basic basket with spray arm
- IXC / IXL injection racks (long / short jets)

Alarms and monitoring

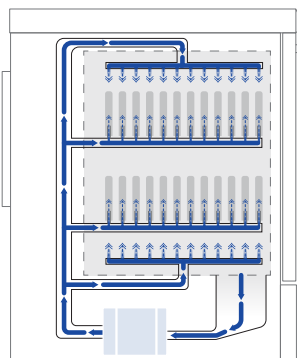
- The 3.5" high resolution touchscreen color display is easy to read from a distance and saves steps when monitoring.
- The intuitive graphic user interface creates a series of visual performance indicators such as active program, time remaining, warning, alarm and cycle completed functions. Five preset programs permit one touch operation. Additional cycles are programmed from the graphic user interface.
- An integrated USB port allows easy front panel access for process tracking and data logging. Process record printouts available through RS 232 or Ethernet port are managed by the Prolux controller.

Construction

The sump, spray arms, interior chamber walls and door are fabricated from 316L stainless steel to resist aggressive chemicals and residues.

- Exterior 304L stainless steel panels resist corrosion, simplify cleaning and protect electrical and plumbing components.

Hydraulic design



The combination of a high performance recirculation pump, straight-line fluid path and center-mounted rack interface assures maximum water flow through spray arms and injectors. The design provide excellent cleaning performance on all wash levels.

Washer pump is protected from debris by a stainless steel sump screen. The screen lifts out without tools for easy cleaning.

- Cabinet fits in 23.6" wide (600 mm) casework opening for new and replacement installation.
- A steam condenser minimizes water vapor during heated cycles to protect casework from moisture damage. Standard on models 815 LX; optional on model 810 LX.
- Precut utility panels on sides and rear simplify installation.
- Double-wall insulated assembly confines heat loss and minimizes noise.
- Easy access stainless steel chamber filters extend washer life by protecting pumps and interior plumbing from debris.
- A compact liquid sump and direct fluid path minimizes water volume per fill, lowers overall consumption per cycle and improves sustainability throughout the useful life.

View-In-Process



An optional 13.7" (348 mm) H x 6.8" (173 mm) W dual pane View-In-Process (VIP) window includes an interior LED light for visual verification of the interior load during the cycle. The light is activated by the On/Off switch through the Prolux controller. Tempered safety glass provides excellent sound and heat abatement and enhances operator safety. Factory installed, specify when ordering.

One touch simplicity, limitless flexibility.

Prolux controller

The Prolux controller is based on a high-performance PLC microprocessor designed for simplicity, one-touch start, real-time status indicators and intuitive programming options that permit customization over the range of washer operations.

Prolux integrates a suite of menu screens that support digital functions from cycle selection, process monitoring, warning advisories, audible and visual alarms, system communications and data capture.

Operation

- Screen menus and a graphic user interface are designed to simplify setup and operations including active program, remaining time, warnings, alarms and complete cycle notifications.
- Five preset programs are factory loaded for one-touch control of most routine applications.
- When additional cycle programs are desired, parameters can be changed through secure access to the administration screen where an intuitive graphic user interface displays all options..

Communication and connectivity

- A front-panel USB port simplifies direct connection to peripheral devices for cycle tracking and data capture. The port is covered by a protective hood.
- A real-time process record is printed if optional printer is installed.
- Multiple data ports include Ethernet and RS422 connectors.
- Impact or network printers options document cycle performance, warnings and alarms.



810 LX / 815 LX



- 3.5" color touchscreen interface
- 320 x 240 pixel resolution display
- Five presets
- Additional custom program options



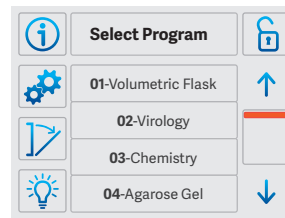
The Prolux PLC Controller includes a touchscreen interface with a common icon directory that permits scrolling access to primary screens from the same menu. A set of sub-menu screens display additional icon directories specific to the screen functions.

Programming

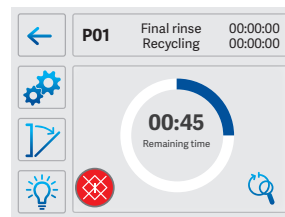
Programmable cycle parameter selections include:

- Prewash. Up to 3 prewashes, 0 to 30 minutes each, temperatures up to 203°F (95°C)*, chemical dosing as desired.
- Wash. 0 to 30 minutes, temperatures up to 203°F (95°C)*, chemical dosing as desired.
- Acid rinse. 0 to 30 minutes chemical dosing, temperatures up to 203°F (95°C)*.
- Running water rinses. One or more short rinse sequences after the wash or rinse cycle purge the hydraulic circuit of residual detergent and rinsing agents.
- Rinse, DI. Up to 4 rinses, 0 to 30 minutes each. Ambient to 203°F (95°C)*.
- Final rinse, DI. 0 to 30 minutes, temperatures up to 203°F (95°C)*.
- Drying**. Standard chamber drying: 35 minutes at approx 230°F (110°C). Optional HEPA filtered injector drying: 90 minutes adjusted mode 140°F (60°C) or maximum mode 185°F (85°C).
- Cooling**. Standard drying: 35 minutes. Optional injector drying: 90 minutes.

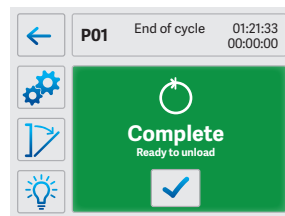
Display screens



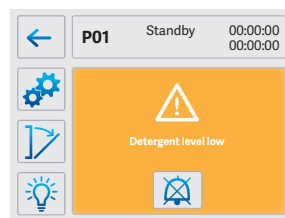
Program Selection. The Program Selection screen lists the five factory presets, as well as additional presets added through administrator access.



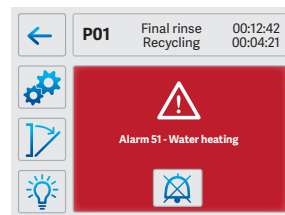
Cycle in Process. A real-time status screen displays time remaining until cycle completion and links to cycle detail screens with the touch of a button.



Cycle Completed. The green Cycle Completed screen confirms completion of the cycle and indicates the washer is safe to unload.



Warning Message. The amber Warning Message screen provides a status report to prompt refill of detergent and rinse agents.



Alarm Message. The red Alarm Message screen confirms the reason for a system shutdown and prompts corrective action needed in advance of a restart.

*Up to 185°F (85°C) on 120V models.

**Please note that model 810 LX is not equipped with drying or cooling functions.

Configurable for your facility

Site preparation and utilities.

Pre-installation

Start-up services by factory-authorized technicians include washer set and leveling, pre-installation and final inspections, soft hook-up to utilities (in place by customer), check-out and initial operation. In addition validation documentation and execution options are available; contact us through; sales.lancer@getinge.com

Post-installation

Technical support by direct product specialists between 8AM and 7PM Eastern Time EST.

Warranty information

Getinge Lancer products are supported by a standard industry warranty.

Adaptable to suit your application

Detergents and rinsing agents

For best cleaning performance there is a selection of detergents and rinse agents formulated to maximize the performance of the Getinge Lancer labware washer while minimizing water consumption. These cleaning chemicals are made specifically for use in high pressure washers.

To order contact sales.lancer@getinge.com.

Getinge LancerClean detergent is available in three solutions formulated for cleaning all different types of contaminants including laboratory soils, “baked on” organic residues, petroleum applications and other hard to clean soils. Getinge LancerClean is ideal for cleaning glassware, surgical instruments and many other labware items.

- LCD-P is a potassium hydroxide based solution that provides excellent cleaning results for all types of contaminants and standard laboratory soils. It is recommended for use in all glassware washers.
- LCD-S is a sodium hydroxide based solution specifically formulated to provide exceptional cleaning for the most difficult types of contaminants.
- LCD-H is a low pH detergent comprised of a sodium silicate solution.

Getinge LCA-A, LCA-C & LCA-P rinse is available in three formulas to meet specific cleaning requirements. Used as a rinsing agent following Getinge LancerClean detergent in the wash cycle, Getinge LCA-A, LCA-C & LCA-P provides excellent results following washing of standard laboratory soils, organics, pharmaceutical based contaminants, petroleum and other difficult materials.

- LCA-A is an acetic acid based neutralizing solution. It is the most commonly used rinsing agent.
- LCA-C is an excellent rinsing agent with a citric acid based solution.
- LCA-P is a phosphoric acid solution.

Comprehensive collection

– a perfect fit for any lab

Superior efficiency – for small and large needs.

Getinge Lancer Ultima offers an expanded line of higher volume labware washers to improve throughput. Freestanding washers offer a range of performance features designed to deliver clean labware faster than other industrial washers. Freestanding washers are available in five configurations and five sizes to meet the demand for higher turnover of larger loads.

Getinge Lancer Ultima means superior quality

All models are produced to withstand harsh laboratory conditions, minimize water consumption and save energy. The complete line of Getinge Lancer Ultima labware washers address applications at any capacity for high-density processing of multiple labware types.

All models feature the Prolux PLC microprocessor controller with color enhanced graphic user interface for intuitive one-touch cycle selection and start. The Prolux control functionality permits easy scale-up from smaller to larger models.

For more information on freestanding models please refer to the Getinge Lancer Ultima series freestanding brochure.

Getinge Lancer Ultima Series



*With side chemical cabinet (SCC)



Getinge Lancer Ultima model 1400 LXP freestanding labware washer.

Bioreactor preparation solution

– consistent processes deliver repeatable results

The expertise of Getinge and Applikon research and development has established a synergistic process for bioreactor preparation.

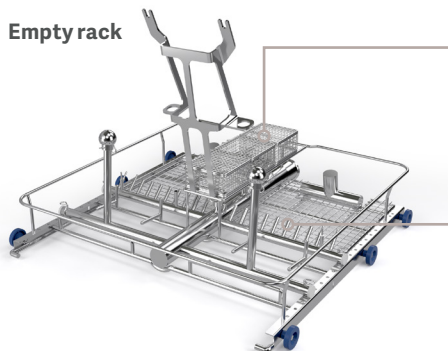
A solution to prevent cross-contamination, minimize any research downtime and ensure validated outcome through optimal processes and procedures. Getinge offers a specially designed bioreactor wash rack for Getinge Lancer Ultima laboratory washers.

This dedicated wash rack, for Getinge Applikon multi-use bioreactors, establishes a highly reproducible system with significant benefits such as:

- Free-up resources to increase laboratory throughput and minimize downtime
- Decreasing operational labor costs compared to manual cleaning processes
- Improving staff safety by removing potential repetitive motions and exposure of harmful substances related to manual procedures.

The relationship between the bioreactor design and laboratory washer assures predictable outcomes.

The defined connection points on the wash rack and bioreactor head plate ensures a clean bioreactor prepared for sterilization.



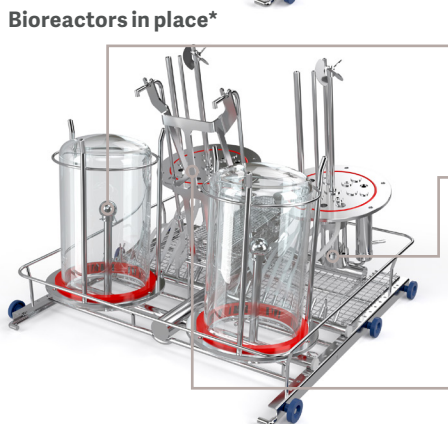
Empty rack

Baskets

Small bioreactor assembly parts are placed in the baskets to ensure that these are in place throughout the cleaning cycle.

Multiple injector tubes

Reassure best possible cleaning performance for each entry connection on the bioreactor head plate.



Bioreactors in place*

Spray headers

High flow of process water through the spray headers clean the inside of the bioreactor vessel.

Head plate fixation

The head plate is fixed in the wash rack. The spray wings within the washer will clean the outside of the head plate.

Angled head plate

Minimum water retention on the head plate surface will speed up the drying phase which shorten the overall process cycle.

*Multi-use, volume 0.26-0.79 gal (1-3 liter)



Getinge Lancer Ultima model 815 LX undercounter labware washer.

Enhancements for your unique application

Options and accessories

Features		810 LX	815 LX
HEPA filtered hot air through chamber and injectors	Optimal drying performance through loading rack injectors for narrow neck glassware.	-	<input type="checkbox"/>
pH programming	Neutralizes effluent before transfer to utility drain.	<input type="checkbox"/>	<input type="checkbox"/>
Low pressure kit	Boosts DI water supply input pressure to assure optimum performance.	<input type="checkbox"/>	<input type="checkbox"/>
Liquid level sensor	Indicates low volume in detergent and acid additive reservoirs.	<input checked="" type="checkbox"/>	<input checked="" type="checkbox"/>
External printer, externally mounted	Installs by direct connection to washer port. Generates 2.25" (57 mm) thermal strip record of washer function.	<input type="checkbox"/>	<input type="checkbox"/>
Side Chemical cabinet (SCC)	Side Chemical cabinet placed at the right side of the washer. The cabinet can accommodate two 2,64 gal (10 liter) chemical canisters. Additional upper level storage available for protective equipment used when replacing chemical containers. The side chemical cabinet is sold as an accessory. Side Chemical cabinet can not be combined with Base cabinet.	<input type="checkbox"/>	<input type="checkbox"/>
Base cabinet	Stainless steel cabinet sized to accommodate models 810 LX and 815 LX. Elevates washer loading platform by 20" (508 mm) to improve ergonomic access when undercounter installation is not desired.	<input type="checkbox"/>	<input type="checkbox"/>
IQ/OQ validation	Includes documentation verification, review of accessories/options, review of equipment installation, verification of utility supplies, review of access levels, review of configuration settings, I/O testing, functional testing, alarm testing, and a complete cycle test.	<input type="checkbox"/>	<input type="checkbox"/>
Conductivity verification	Conductivity verification of final rinse quality.	<input type="checkbox"/>	<input type="checkbox"/>
View-In-Process window	Includes interior light, permitting visual verification during wash cycles.	<input type="checkbox"/>	<input type="checkbox"/>

See product specifications for details and additional options to select.

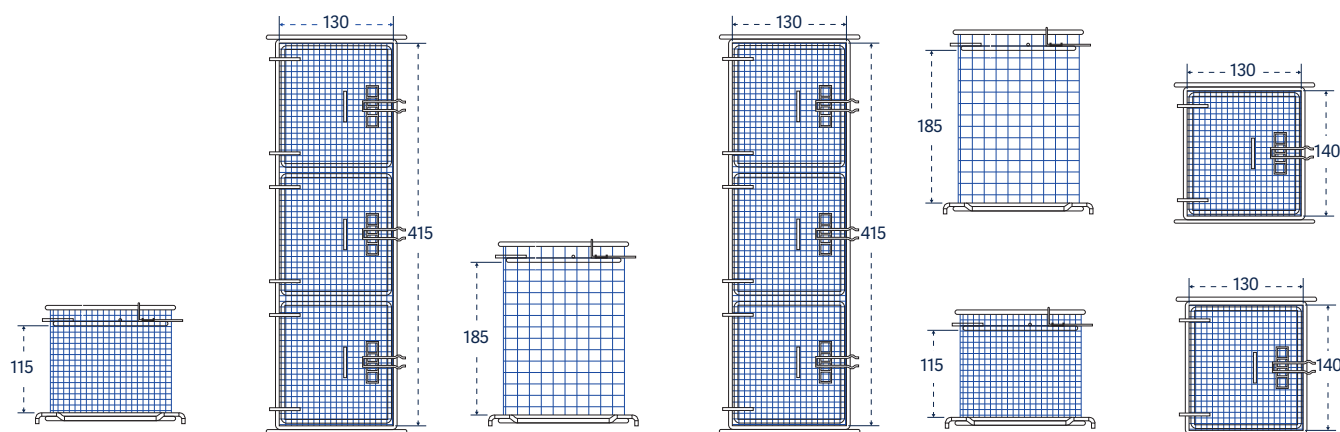
/ Standard / optional features

Common accessories

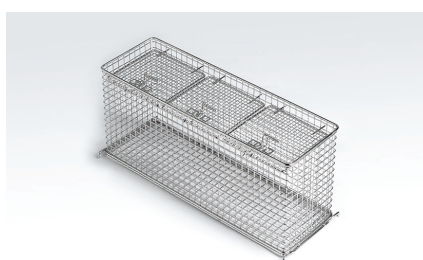
Choose from up to 60 different injector racks, pipette racks and baskets. All racks are interchangeable between the washer lower and upper levels.

- A wide variety of standard inventory baskets and injector racks are available to meet most needs.
- Custom racks and baskets can be fabricated to meet specific needs or special applications.

Please note. All dimensions in the accessories section are in millimeters, unless otherwise stated.



Small mesh basket with cover, long:
Catalog No. STCXL



Small mesh basket, tall with cover, long:
Catalog No. LTCXL



Small mesh baskets, tall and short:
Catalog No. LTC and STC

Small mesh baskets

For bottle caps, ferrules, plugs, stoppers and test tubes, interior dimensions (LxDxH).

Mesh basket, short, with cover, 130x118x98 mm

810 LX / 815 LX

Part number

STC

02010037

Mesh basket, short, with cover, 405x118x98 mm

STCXL

02010038

Mesh basket, tall, with cover, 130x118x170 mm

LTC

02010029

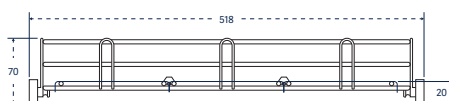
Mesh basket, tall, with cover, 405x118x170 mm

LTCXL

02010030

Accessories

810 LX / 815 LX



Basic basket with reversible tray lid:
Catalog No. PST and GC



Basic basket with spray arm:
Catalog No. PSBT



Support for culture dishes (3x) placed in
PST basket.

Baskets

Useful for beakers, trays, dishes, dissolution vessels, funnels, instruments and jars.

810 LX / 815 LX

Part number

Basic basket

PST

02600011

Basic basket with spray arm

PSBT

02600010

Support for culture plates for PST basket

20 PL

01030417

Basket covers

Accessory basket covers are available to secure small or lightweight labware during the wash cycle.

810 LX / 815 LX

Part number

Reversible tray lid for PST/PSBT

GC

01030569

Reversible tray lid, half size for PST/PSBT

GC1/2 PS

01030570

Reversible tray lid for injector rack

GC

01030585

Reversible tray lid, half size for injector rack

GC1/2 PS

01030586

Short injectors

For inside out cleaning of narrow neck glassware, bottles, cylinders, boiling flasks, Erlenmeyer flasks and volumetric flasks.

810 LX / 815 LX

Part number

Half rack, 27 short jets, 6 mm diameter

27 IXC 1/2

02600022

36 short jets, 6 mm diameter

36 IXC

02600023

41 short jets, 6 mm BOD rack

41 IXC

02600003

48 short jets, 2 mm diameter

48 IXA

02600026

48 short jets, 6 mm diameter

48 IXC

02600027

64 short jets, 2 mm diameter

64 IXA

02600030

64 short jets, 6 mm diameter

64 IXC

02600032

64 short jets, mixed 2 mm and 6 mm diameter

64 IXA/2

02600031

100 short jets, 2 mm diameter

100 IXA

02600016

100 short jets, 6 mm diameter

100 IXC

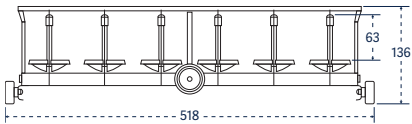
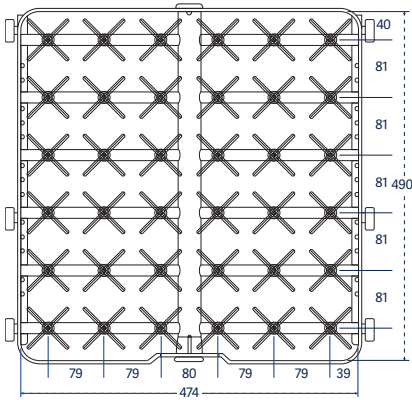
02600018

100 short jets, mixed 2 mm and 6 mm diameter

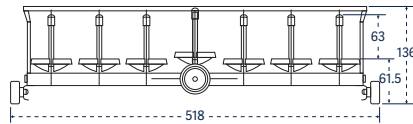
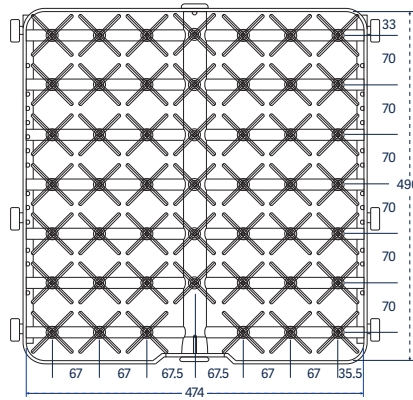
100 IXA/2

02600017

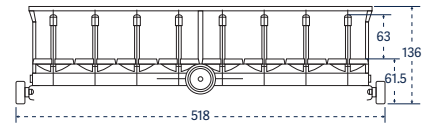
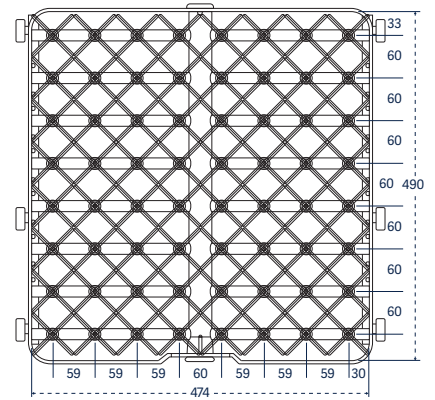




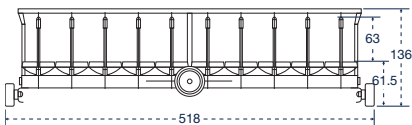
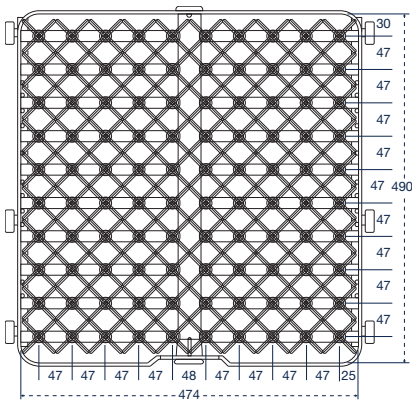
Catalog No. 36 IXC



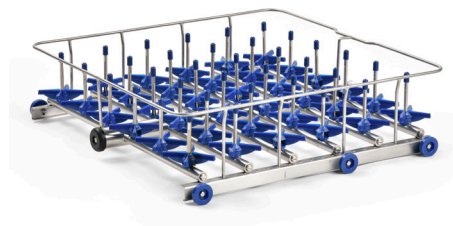
Catalog No. 48 IXC; IXA



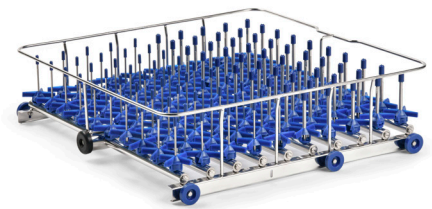
Catalog No. 64 IXA; IXC; IXA/2



Catalog No. 100 IXA; IXC; IXA/2



IXC: Injector rack, short injectors, 76 mm (3") tall, jets 6 mm diameter



IXA: Injector rack, short injectors, 76 mm (3") tall, jets 2 mm diameter

Long injectors

For inside out cleaning of large narrow neck glassware, bottles, cylinders, boiling flasks, Erlenmeyer flasks and volumetric flasks.

810 LX / 815 LX

Part number

5 long jets, 12.7 mm diameter, with spray ball

5 IXL

02600007

9 long jets, 12 mm diameter, with spray ball

9 IXL

AA02250223

12 long jets, 8 mm diameter

12 IXL

AA02250224

20 long jets, 8 mm diameter

20 IXL

02600021

36 long jets, 6 mm diameter

36 IXL

02600024

48 long jets, 6 mm diameter

48 IXL

02600028

64 long jets, 6 mm diameter

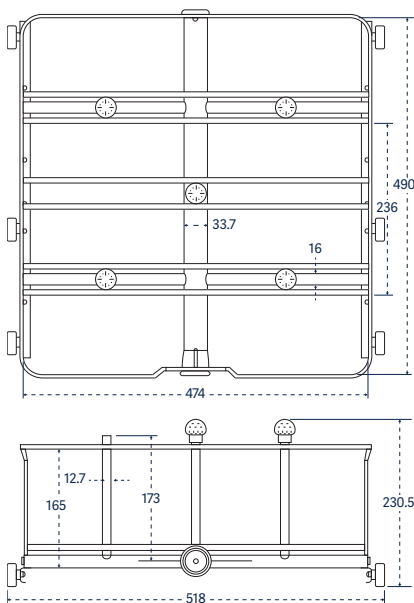
64 IXL

02600033

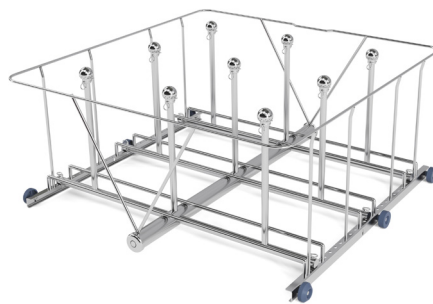
100 long jets, 6 mm diameter

100 IXL

02600019



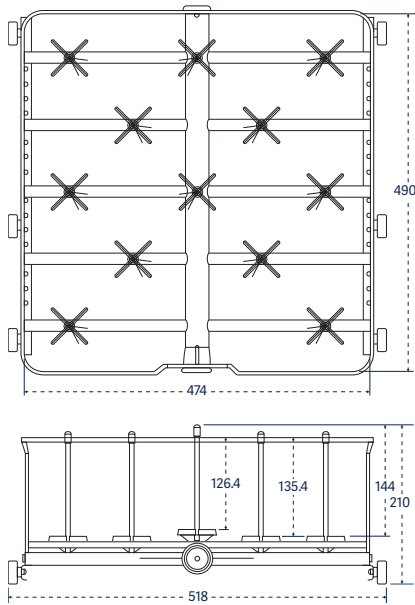
Catalog No. 5 IXL



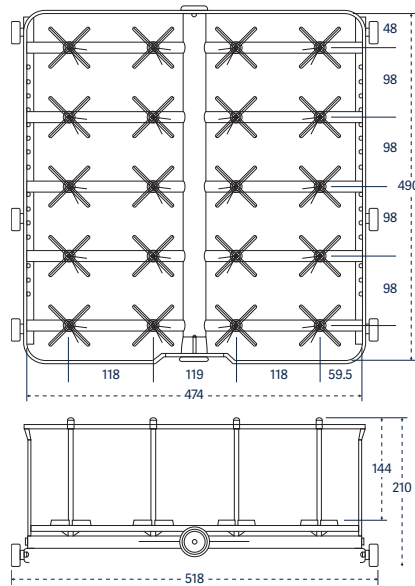
Catalog No. 9 IXL



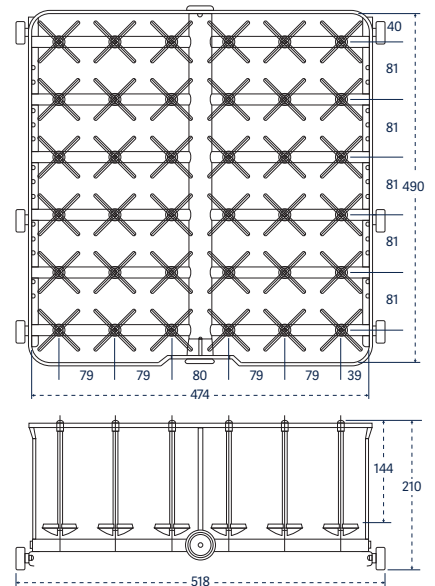
Adjustable clip positions labware on injector for optimal cleaning performance.



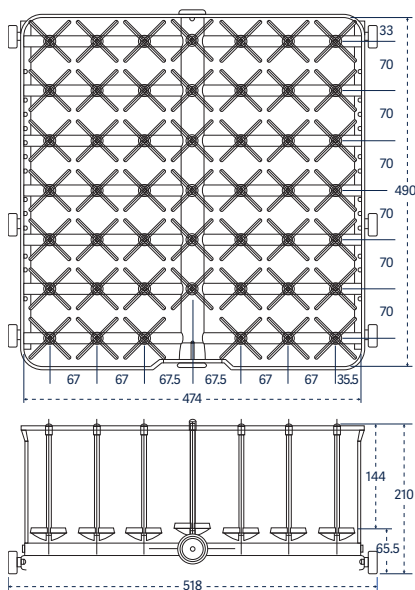
Catalog No. 12 IXL



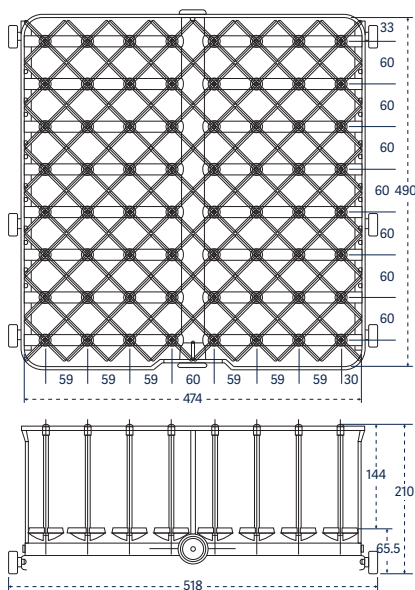
Catalog No. 20 IXL



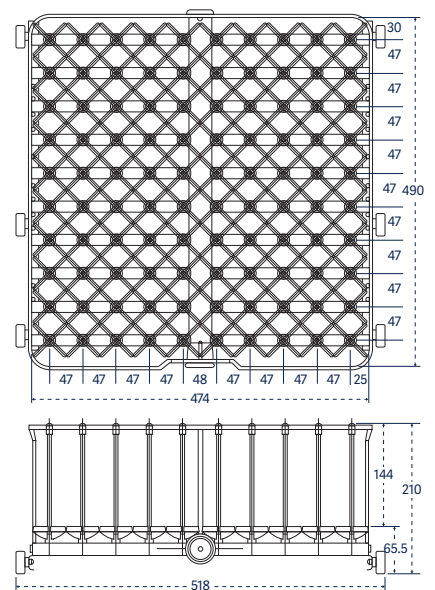
Catalog No. 36 IXL



Catalog No. 48 IXL



Catalog No. 64 IXL



Catalog No. 100 IXL

Extra long injectors

For inside out cleaning of narrow neck glassware, bottles, cylinders, boiling flasks, Erlenmeyer flasks and large volumetric flasks.

	810 LX / 815 LX	Part number
1 long jet, 12.7 mm diameter, with spray ball	1 IXL	02600001
2 long jets, 12.7 mm diameter, with spray ball	2 IXL	02600014
4 long jets, 12.7 mm diameter, with spray ball	4 IXL	02600005

Combination short/long injectors

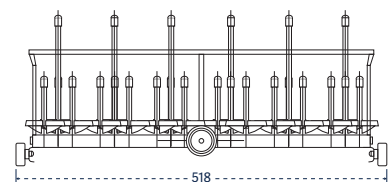
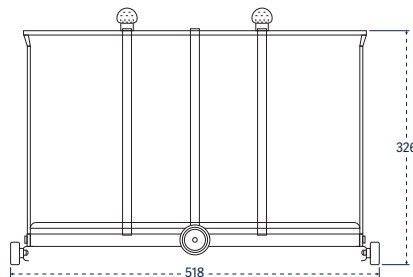
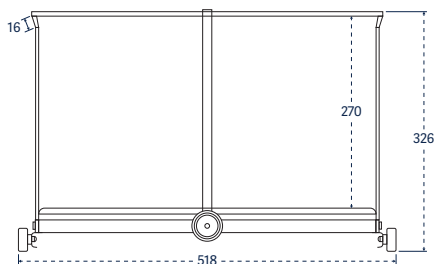
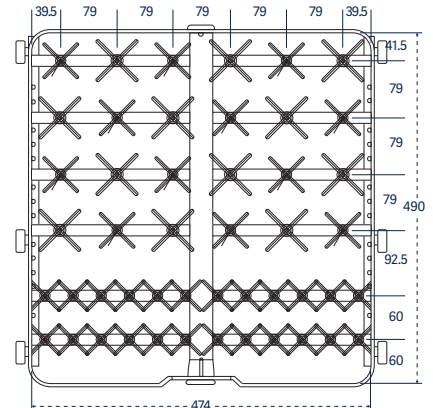
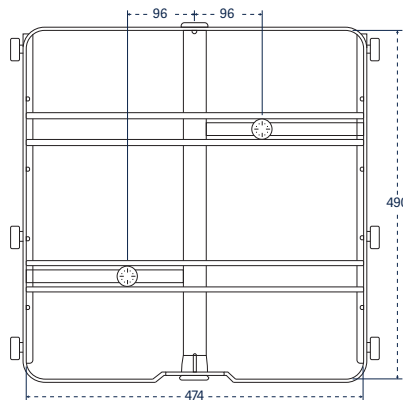
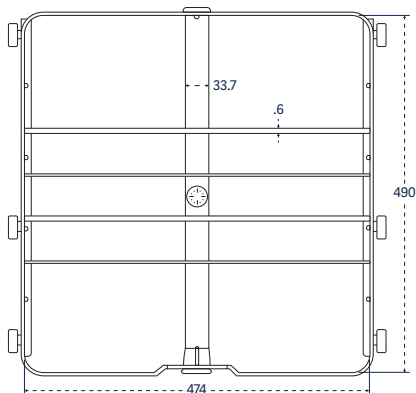
For inside out cleaning of mixed loads of narrow neck glassware, bottles, cylinders, boiling flasks, Erlenmeyer flasks and volumetric flasks.

	810 LX / 815 LX	Part number
36 short and long jets, 6 mm diameter	36 IXLC	02600025
48 short and long jets, 6 mm diameter	48 IXLC	02600029
48 short and long jets, 6 mm diameter, 2 rows 2 mm diameter	48 IXLCA	02600006
64 short and long jets, 6 mm diameter	64 IXLC	02600034
100 short and long jets, 6 mm diameter	100 IXLC	02600020

Injector KIT packages

KIT enable customization of standard injector racks to fit specific needs. Each KIT include 10 complete injectors with their supports and nozzles.

	Part number
Long injectors, length of 230 mm and 6 mm in diameter	6007500984
Long injectors, length of 171 mm and 6 mm in diameter	6007500890
Short injectors, length of 86 mm and 6 mm in diameter	6007500957
Short injectors, length of 56 mm and 6 mm in diameter	6007501012
Long injectors, length of 171 mm and 8 mm in diameter	6007501011
Needle injectors, length of 86 mm	6007501007



Catalog No. 1 IXL

Catalog No. 2 IXL

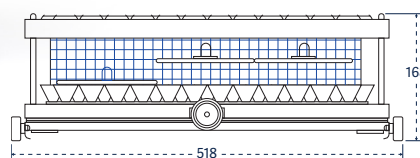
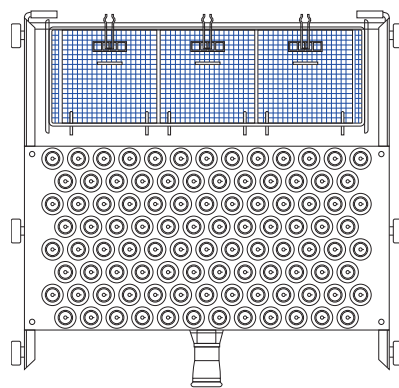
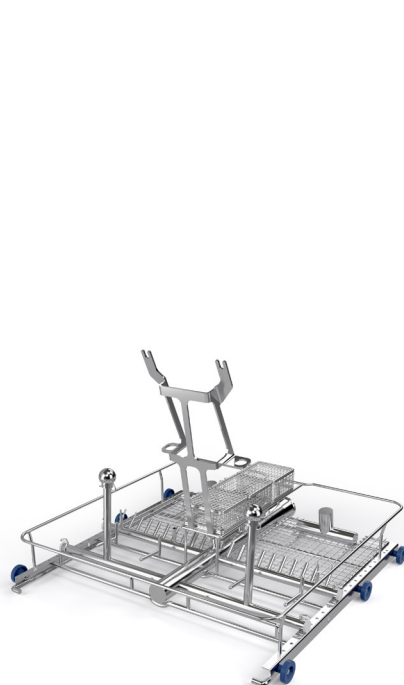
Catalog No. 48 IXLC; IXCLA

Multipurpose racks For a combination of labware and pipettes.	810 LX / 815 LX	Part number
Basic basket plus 27 short and long jets	PS/27 IXLC	02600039
25 pipettes, angled plus 24 short and long jets	25 PIP/24 IXLC	02600004
14 short jets plus 4 long injectors angled and perforated	4 EP/14 IXC	02600041
28 short and long jets plus 4 long injectors, angled and perforated	4 EP/28 IXLC	02600036
50 pipettes plus 34 short and long jets	50 PIP/34 IXLC	02600037
One third PS plus 21 short and long jets, plus 25 pipettes	PS/21 IXLC/25 PIP	02600038

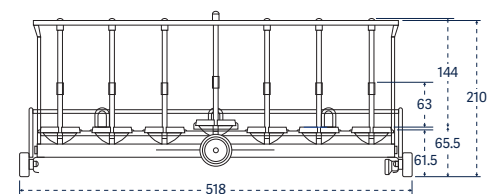
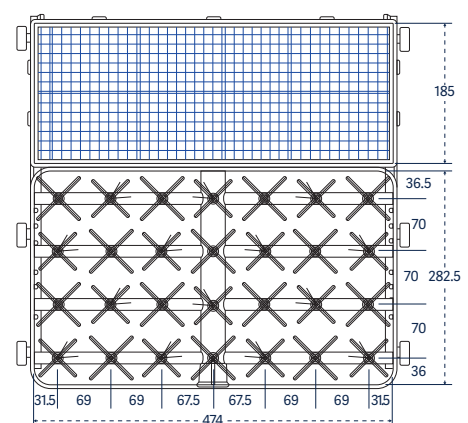
Pipette racks Accessory pipette racks are configured to accommodate reusable pipettes.	810 LX / 815 LX	Part number
Grommet style, individually loaded, 100 position	100 PIP	02600040

Bioreactor rack	810 LX / 815 LX	Part number
Rack for 0.26-0.79 gal (1-3 L) Bioreactors	BRWR	AA02600113

Storage stand An accessory storage stand offers a convenient place to store accessory racks and baskets when not in use.	810 LX / 815 LX	Part number
Holds up to 5 racks	RP	01040060



Catalog No. 100 PIP



Catalog No. PS/27/IXLC

Catalog No. BRWR



Getinge is a global provider of innovative solutions for Life Science companies and institutions, operating rooms, intensive care units and sterilization departments. Based on our firsthand experience and close partnerships with Life Science companies, clinical experts, healthcare professionals and medtech specialists, we are improving everyday life for people – today and tomorrow.

This document is intended to provide information to a North American audience.

Getinge USA Sales · LLC 1150 Emma Oaks Trail Suite 140 · Lake Mary FL 32746 · USA
Phone: 1-800-332-1855 · E-mail: Sales.lancer@getinge.com

www.getinge.com/US